

The Shurflo® 166 Series Industrial Air Operated Demand Pumps employs a dual diaphragm design, with a patented fast action switching mechanism allowing for consistent flow and pressure.

The 166 Series is a compact unit built for the toughest pumping applications. It is available in a variety of elastomers giving it compatibility with most caustic or acidic fluids, and the same reliability that the Shurflo name has come to stand for.

When your needs call for a dependable air driven pump, call Shurflo and ask for the Best . . . The 166 Series Pumps.

- **2 Chamber Dual Diaphragm**
- **Positive Displacement**
- **Available in a variety of chemical resistant materials**
- **Proven Performance**
- **Proven Reliability**
- **Proven Dependability**
- **100% Final Test at Factory**

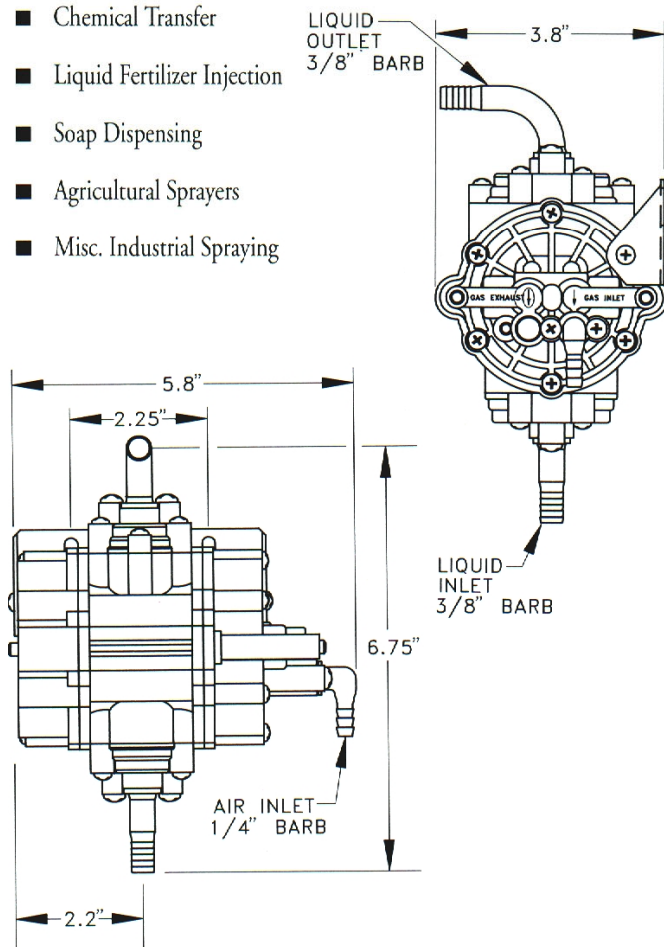
Model 166 Air Operated Demand Pumps

The Model 166 Series Pump operates by using compressed air, CO₂, or Nitrogen. This automatic demand pump operates only when there is a pressure differential between the outlet line pressure and the regulated air pressure. This pressure differential may be created by simply opening up any standard valve or a typical hand held wand.

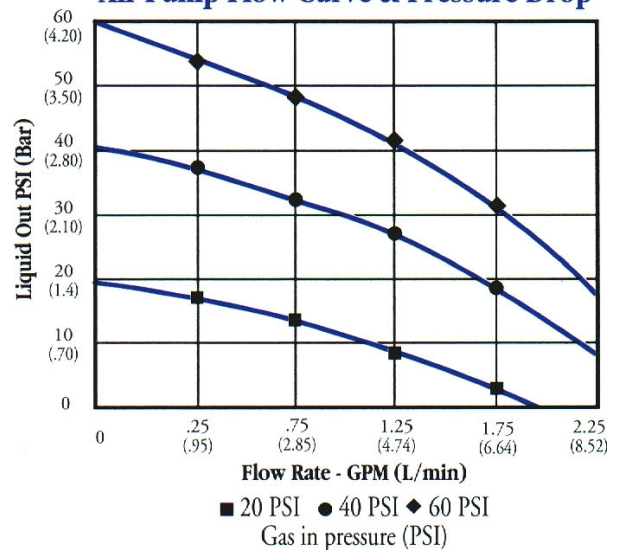
The reliability of the complete line of air operated 166 series pumps make Shurflo the pump of choice.

Applications

- Chemical Transfer
- Liquid Fertilizer Injection
- Soap Dispensing
- Agricultural Sprayers
- Misc. Industrial Spraying



Air Pump Flow Curve & Pressure Drop



Technical Specifications:

Design:	Twin Chamber Double Diaphragm.
Materials of Construction:	Polypropylene, 316 Stainless Steel, Buna, Viton™, EPDM, or Santoprene.
Power Source:	CO ₂ , Nitrogen, or Compressed Filtered Air.
Operating Pressure:	60 psi. [4.0 bar] MAX. / 20 psi. [1.4 bar] MIN.
Displacement:	.0195 gal. per cycle [74cc].
Flow Rate: (Continuous)	.6 gal. per min. MAX. [2.2 L/MIN].
Gas Consumption Rate:	.48 CFM @ 60 psi consumed when pumping at .46 GPM; 13.5 LPM @ 4.0 bar consumed when pumping at 1.7 LPM.
Temperature Limits:	34° — 120°F [1.1° — 49°C]
Suction Lift: (Wet)	25 in/Hg. [85 kPa] (not intended for dry operation)
Dimensions:	6.3"H x 5.9"W x 3.8"D [160 x 150 x 97 mm]
Weight:	2 lbs. [.9 kgs]

BOREL FRANCE
 TEL 33 5 63 02 00 10
 FAX 33 5 63 02 00 20
<http://www.borel-sa.com>